



## ELC-ACCOVER

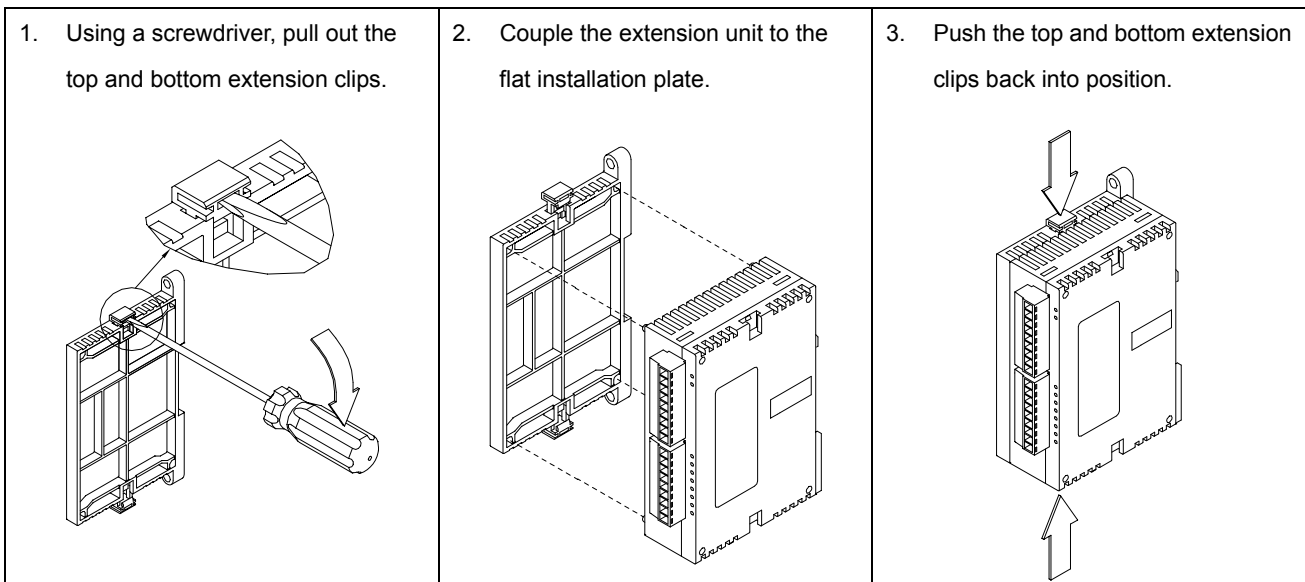
Slim Installation Plate

## Instruction sheet

### ■ Introduction

The slim installation plate accommodates a single Analog Module working as a Modbus/RS-485 network I/O module. When a controller is attached, this plate cannot be used.

### ■ Assembling the slim installation plate



### ■ Installation & Dimensions

